



G Series
LCD Monitor
User Manual



Copyright

Copyright 2015 by BenQ Corporation. All rights reserved. No part of this publication may be reproduced, transmitted, transcribed, stored in a retrieval system or translated into any language or computer language, in any form or by any means, electronic, mechanical, magnetic, optical, chemical, manual or otherwise, without the prior written permission of BenQ Corporation.

Disclaimer

BenQ Corporation makes no representations or warranties, either expressed or implied, with respect to the contents hereof and specifically disclaims any warranties, merchantability or fitness for any particular purpose. Further, BenQ Corporation reserves the right to revise this publication and to make changes from time to time in the contents hereof without obligation of BenQ Corporation to notify any person of such revision or changes.

The performance of flicker-free may be affected by external factors such as poor cable quality, unstable power supply, signal interference, or poor grounding, and not limited to the above mentioned external factors. (Applicable for flicker-free models only.)

Please follow these safety instructions for best performance, and long life for your monitor.

Power Safety

- The AC plug isolates this equipment from the AC supply.
- The power supply cord serves as a power disconnect device for pluggable equipment. The socket outlet should be installed near the equipment and be easily accessible.
- This product should be operated from the type of power indicated on the marked label. If you are not sure of the type of power available, consult your dealer or local power company.
- An approved power cord greater or equal to H03VV-F or H05VV-F, 2G or 3G, 0.75mm² must be used.

Care And Cleaning

- **Cleaning.** Always unplug your monitor from the wall outlet before cleaning. Clean the LCD monitor surface with a lint-free, non-abrasive cloth. Avoid using any liquid, aerosol or glass cleaners.
- Slots and openings on the back or top of the cabinet are for ventilation. They must not be blocked or covered. Your monitor should never be placed near or over a radiator or heat source, or in a built-in installation unless proper ventilation is provided.
- Never push objects or spill liquid of any kind into this product.

Servicing

Do not attempt to service this product yourself, as opening or removing covers may expose you to dangerous voltages or other risks. If any of the above mentioned misuse or other accident such as dropping or mishandling occurs, contact qualified service personnel for servicing.

BenQ ecoFACTS

BenQ has been dedicated to the design and development of greener product as part of its aspiration to realize the ideal of the "Bringing Enjoyment 'N Quality to Life" corporate vision with the ultimate goal to achieve a low-carbon society. Besides meeting international regulatory requirement and standards pertaining to environmental management, BenQ has spared no efforts in pushing our initiatives further to incorporate life cycle design in the aspects of material selection, manufacturing, packaging, transportation, using and disposal of the products. BenQ ecoFACTS label lists key eco-friendly design highlights of each product, hoping to ensure that consumers make informed green choices at purchase. Check out BenQ's CSR Website at <http://csr.BenQ.com/> for more details on BenQ's environmental commitments and achievements.


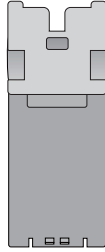
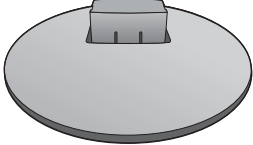
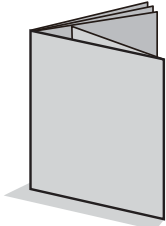

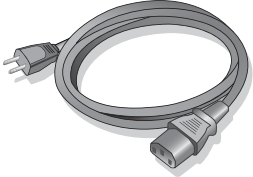
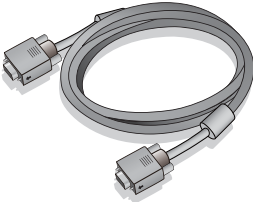


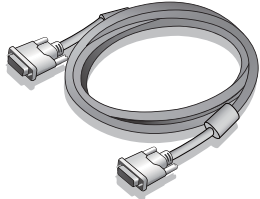
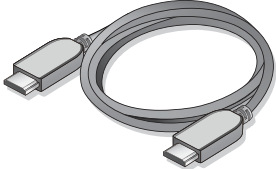
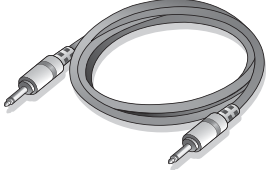
Table of Contents

Copyright	2
Getting started	5
Getting to know your monitor	7
Front view	7
Back view	7
How to assemble your monitor hardware	9
How to detach the base	13
Using the monitor wall mounting kit	14
Getting the most from your BenQ monitor	15
How to install the monitor on a new computer	16
How to upgrade the monitor on an existing computer	17
How to install on Windows 8 system (selected models only)	18
How to install on Windows 7 system	19
How to install on Windows Vista systems	20
Picture optimization	21
How to adjust your monitor	22
The control panel	22
Hot key mode	23
Main menu mode	25
Troubleshooting	40
Frequently asked questions (FAQ)	40
Need more help?	41

Getting started

When unpacking please check you have the following items. If any are missing or damaged, please contact the place of purchase for a replacement.

BenQ LCD Monitor	
Monitor Stand	
Monitor Base	
Quick Start Guide	
CD-ROM	
Power Cord (Picture may differ from product supplied for your region.)	
Video Cable: D-Sub (Optional accessory)	

<p>Video Cable: DVI-D (Optional accessory for models with DVI inputs)</p>	
<p>Video Cable: HDMI (Optional accessory for models with HDMI inputs)</p>	
<p>Audio Cable (Optional accessory for models with speakers)</p>	



- Available accessories and the pictures shown here may differ from the actual contents and the product supplied for your region. And the package contents may subject to change without prior notice. For cables that are not supplied with your product, you can purchase them separately.

- Consider keeping the box and packaging in storage for use in the future when you may need to transport the monitor. The fitted foam packing is ideal for protecting the monitor during transport.



Always keep the product and accessories out of reach of small children.

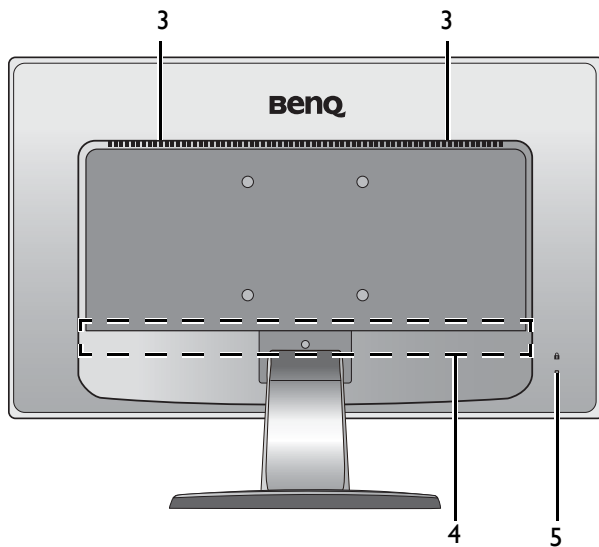
Getting to know your monitor

Front view



1. Control buttons
2. Power button

Back view



3. Speakers (for models with speakers)
4. Input and output ports (vary by model, see [Input and output ports on page 8](#))
5. Kensington lock slot

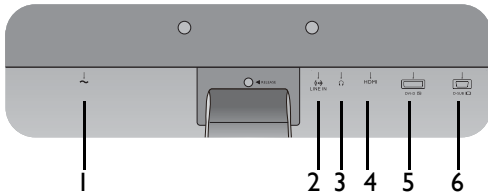


- Above diagram may vary depending on the model.
- Picture may differ from product supplied for your region.

Input and output ports

Available input and output ports may vary depending on your purchased model. Check the **Specification** document on the provided CD for details.

Models with HDMI inputs



1. AC power input jack

2. Audio Line In

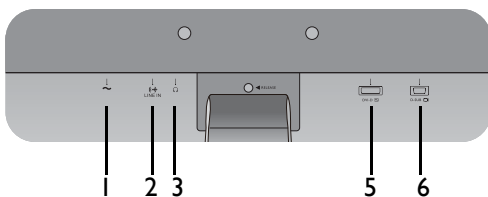
3. Headphone jack

4. HDMI socket

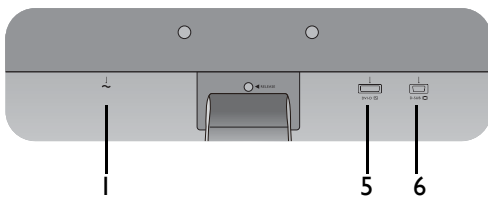
5. DVI-D socket

6. D-Sub socket

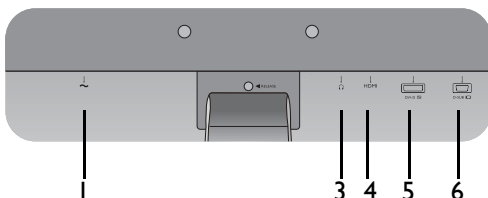
Models with dual inputs and speakers



Models with dual inputs



GW2455H



How to assemble your monitor hardware

-
- If the computer is turned on you must turn it off before continuing.
Do not plug-in or turn-on the power to the monitor until instructed to do so.
 - The following illustrations are for your reference only. Available input and output jacks may vary depending on the purchased model.
-

I. Attach the monitor base.

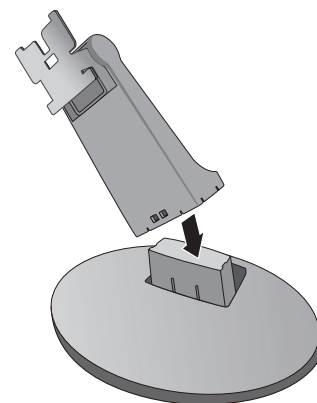
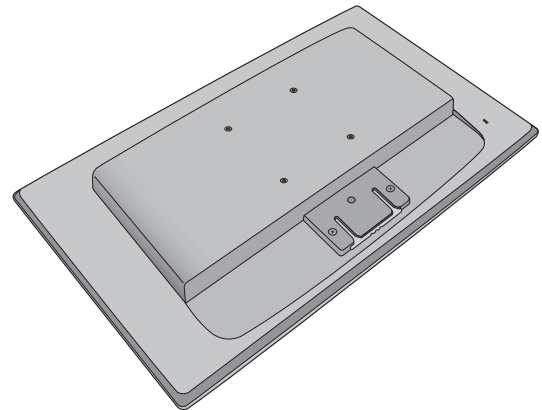
- Please be careful to prevent damage to the monitor. Placing the screen surface on an object like a stapler or a mouse will crack the glass or damage the LCD substrate voiding your warranty. Sliding or scraping the monitor around on your desk will scratch or damage the monitor surround and controls.

Protect the monitor and screen by clearing a flat open area on your desk and placing a soft item like the monitor packaging bag on the desk for padding.

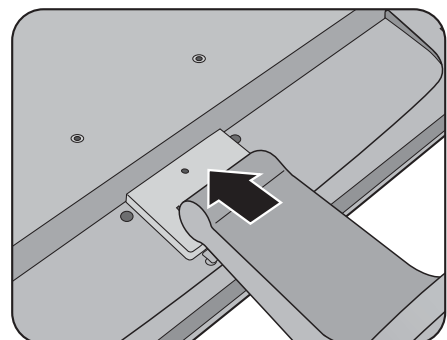
Gently lay the screen face down on a flat clean padded surface.


Attach the monitor stand to the monitor base as illustrated until it locks in place.

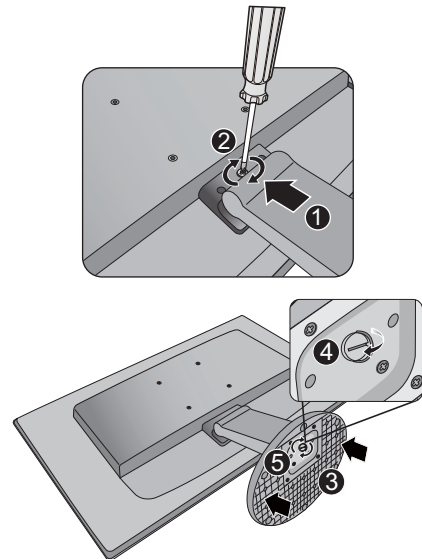
Gently attempt to pull them back apart to check that they have properly engaged.



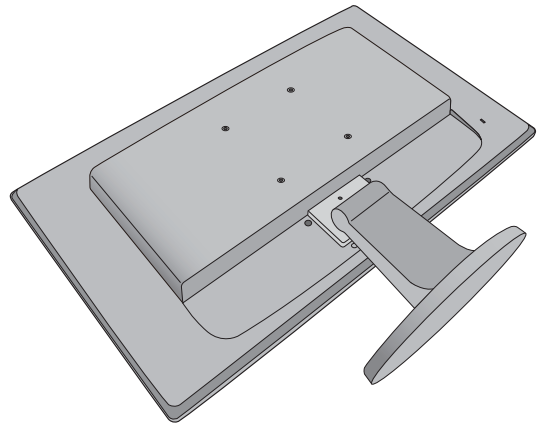
Orient and align the stand arm with the monitor, then push them together until they click and lock into place.




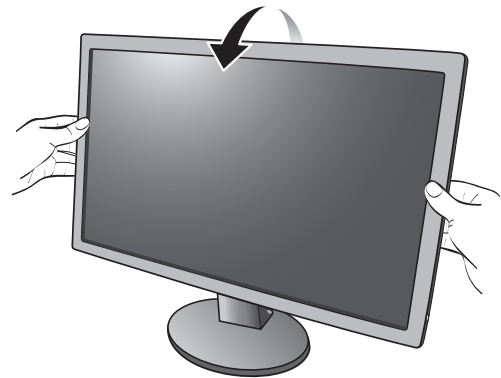
 If the screen size is 27 inches, follow the illustrations on the right to attach the monitor stand and the base.




Gently attempt to pull them back apart to check that they have properly engaged.



 You should position the monitor and angle the screen to minimize unwanted reflections from other light sources.



2. Connect the video cable

 Do not use both DVI-D cable and D-Sub cable on the same PC. The only case in which both cables can be used is if they are connected to two different PCs with appropriate video systems.

To Connect the D-Sub Cable

Connect the plug of the D-Sub cable (at the end without the ferrite filter) to the monitor video socket. Connect the other end of the cable (at the end with the ferrite filter) to the computer video socket.

Tighten all finger screws to prevent the plugs from accidentally falling out during use.


To Connect the DVI-D Cable

Connect the plug of the DVI-D cable (at the end without the ferrite filter) to the monitor video socket. Connect the other end of the cable (at the end with the ferrite filter) to the computer video socket.


Tighten all finger screws to prevent the plugs from accidentally falling out during use.

To Connect the HDMI Cable

Connect the plug of the HDMI cable to one of the two HDMI ports on the monitor. Connect the other end of the cable to the HDMI port of a digital output device.

 If there is more than one video transmission method available to you, you might want to take the picture quality of each video cable into consideration before making the connection.

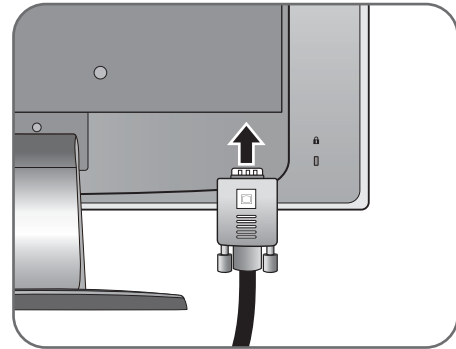
- Better quality: HDMI / DVI-D
- Good quality: D-Sub

 The video cables included in your package and the socket illustrations on the right may vary depending on the product supplied for your region.

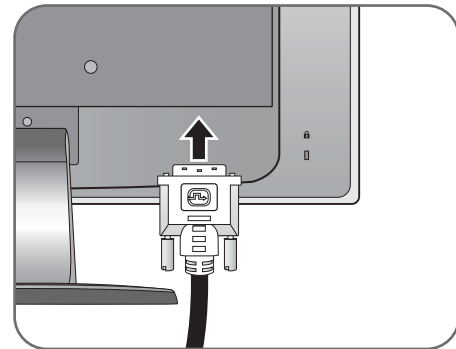
3. Connect the audio cable.

Connect the audio cable between the socket on the rear of the monitor (Line In) and your computer audio outlet.

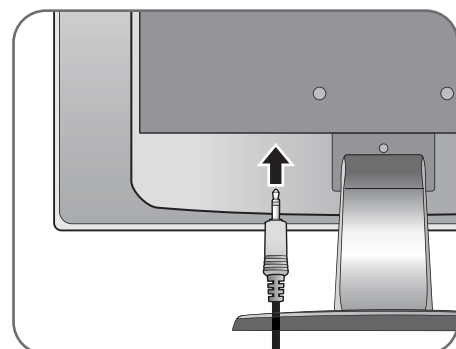
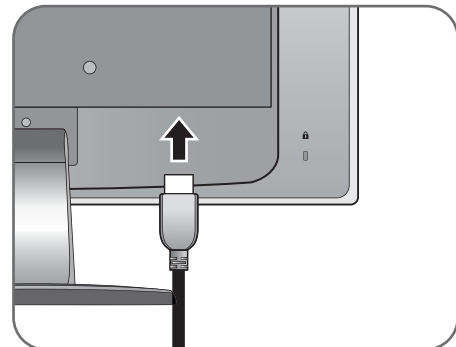
Either




Or

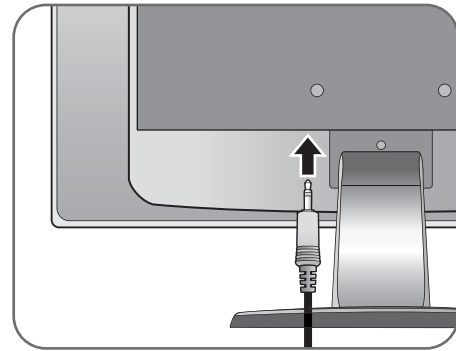


Or




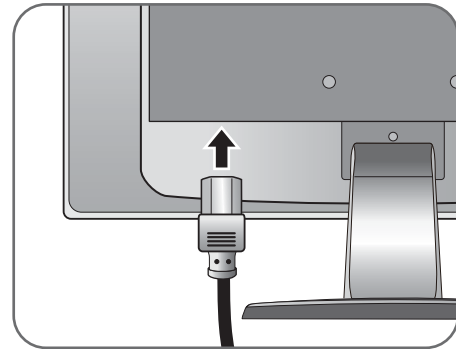
You may connect headphones to the headphone jack found next to the Line In jack of the monitor.

 Location of the Line In and headphone jacks may vary by model. Check [Input and output ports on page 8](#) for details.



4. Connect the power cable to the monitor.

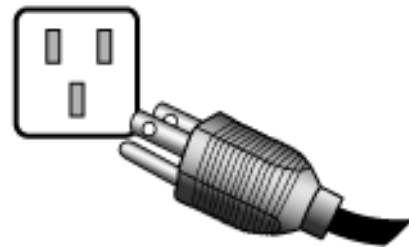
Plug one end of the power cord into the socket labelled  on the rear of the monitor. Do not connect the other end to a power outlet just yet.



5. Connect-to and turn-on the power.


Plug the other end of the power cord into a power outlet and turn it on.

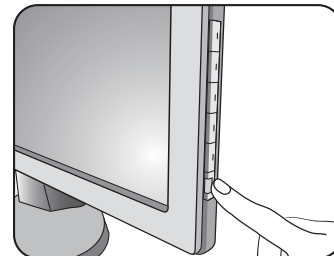
 Picture may differ from product supplied for your region.



Turn on the monitor by pressing the power button on the right of the monitor.

Turn on the computer too, and follow the instructions in [Getting the most from your BenQ monitor on page 15](#) to install the monitor software.

 To extend the service life of the product, we recommend that you use your computer's power management function.

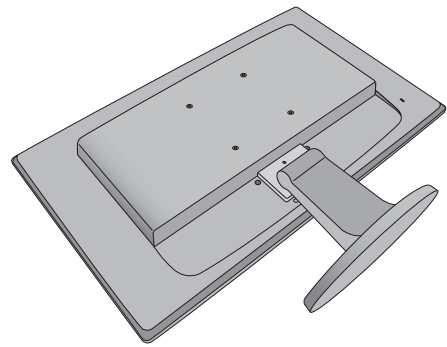



How to detach the base

1. Prepare the monitor and area.

Turn off the monitor and the power before unplugging the power cable. Turn off the computer before unplugging the monitor signal cable.

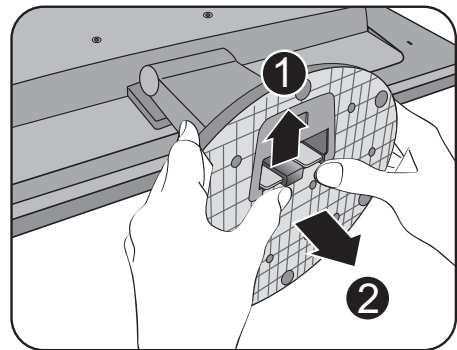
Protect the monitor and screen by clearing a flat open area on your desk and placing a soft item like a towel on the desk for padding, before laying the screen face down on a flat clean padded surface.



 Please be careful to prevent damage to the monitor. Placing the screen surface on an object like a stapler or a mouse will crack the glass or damage the LCD substrate voiding your warranty. Sliding or scraping the monitor around on your desk will scratch or damage the monitor surround and controls.

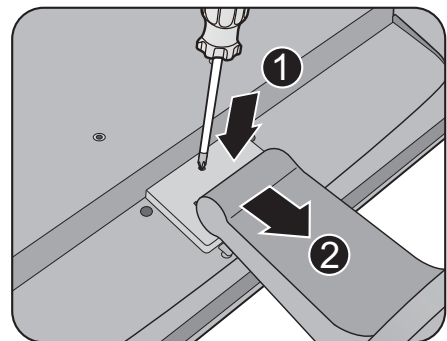
2. Push the locking clips upward to detach the monitor base from the monitor stand arm.


While pushing the locking clips upward, detach the stand base from the stand arm.

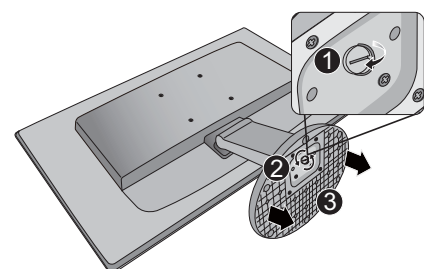


3. Remove the monitor stand.

Insert a pointed object such as a screwdriver to the hole above the monitor stand arm, and then push the screwdriver against the release button inside the hole. Then pull the monitor stand backward away from the monitor.



 If the screen size is 27 inches, follow the illustration on the right to detach the monitor base.



Using the monitor wall mounting kit

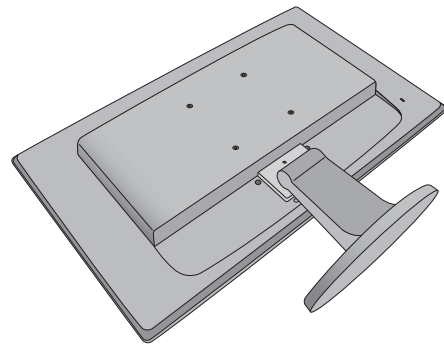
The back of your LCD monitor has a VESA standard mount with 100mm pattern, allowing the installation of a wall mount bracket. Before starting to install a monitor wall mounting kit, please read the precautions carefully.

Precautions:

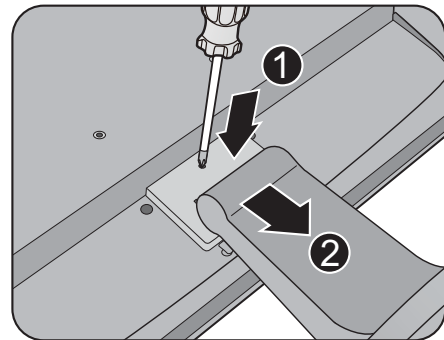
- Install your monitor and monitor mounting kit on a wall with flat surface.
- Ensure that the wall material is stable to support the weight of the monitor.
- Turn off the monitor and the power before disconnecting the cables from the LCD monitor.


1. Remove the monitor base.


Lay the screen face down on a clean and well-padded surface.

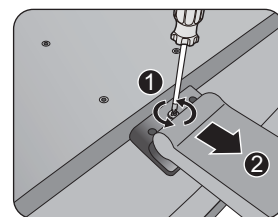


Detach the monitor base as instructed in [How to detach the base on page 13](#).

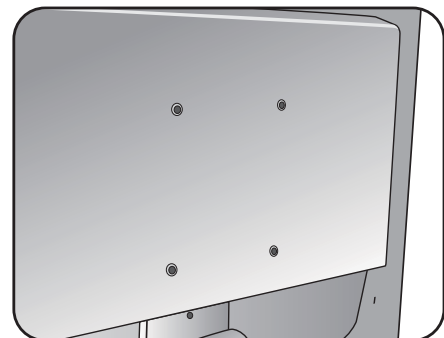


 If the screen size is 27 inches, follow the illustration on the right to detach the monitor stand.

 In case you intend to use your monitor on the stand in the future, please keep the monitor base, monitor stand, and screws somewhere safe for future use.



2. Follow the instruction manuals of the wall mount bracket you purchased to complete the installation.



Getting the most from your BenQ monitor

To gain the most benefit from your new BenQ LCD monitor, you should install the custom BenQ LCD Monitor driver software as provided on the BenQ LCD Monitor CD-ROM.

The circumstances under which you connect and install your BenQ LCD Monitor will determine which process you need to follow to successfully install the BenQ LCD Monitor driver software. These circumstances relate to which version of Microsoft Windows you are using, and whether you are connecting the monitor and installing the software onto a new computer (without existing monitor driver software), or whether you are upgrading an existing installation (which already has existing monitor driver software) with a newer monitor.

In either case however, the very next time you turn on your computer (after connecting the monitor to your computer), Windows will automatically recognize the new (or different) hardware, and will launch its **Found New Hardware wizard**.

Follow the wizard instructions until it asks you to select a monitor model. At that point, click the **Have Disk** button, insert the BenQ LCD Monitor CD-ROM and select the appropriate monitor model. Further details and step-by-step instructions for either an automatic (new) or upgrade (existing) installation, see:


- [How to install the monitor on a new computer on page 16.](#)
- [How to upgrade the monitor on an existing computer on page 17.](#)



- If you require a User Name and Password to login to your Windows computer, you must be logged on as an Administrator or as a member of the Administrators group in order to install the monitor driver software. Furthermore, if your computer is connected to a network which has security access requirements, network policy settings may prevent you from installing software on your computer.
 - To check the name of the purchased model, refer to the specification label on the back of the monitor.
-

How to install the monitor on a new computer


This instruction details the procedure for selecting and installing the BenQ LCD Monitor driver software on a new computer which has never had a monitor driver installed before. This instruction is only suitable for a computer which has never been used before, and for which the BenQ LCD Monitor is the first ever monitor to be connected to it.

 If you are adding the BenQ LCD Monitor to an existing computer that has already had another monitor connected to it (and has monitor driver software installed), you should not be following these instructions. You should instead be following the instructions for [How to upgrade the monitor on an existing computer](#).

1. Follow the instructions in [How to assemble your monitor hardware on page 9](#).

When Windows starts, it will automatically detect the new monitor and launch the **Found New Hardware Wizard**. Follow the prompts until it displays the option to **Install Hardware Device Drivers**.

2. Insert the BenQ LCD Monitor CD-ROM into a CD drive on the computer.
3. Check **Search for a suitable driver for my device** option, and click **Next**.
4. Check the option for CD-ROM drives (uncheck all others) and click **Next**.
5. Look to confirm that the wizard has selected the correct name of your monitor and click **Next**.
6. Click **Finish**.
7. Restart the computer.

 To find the suitable driver files for the purchased model, refer to the following table.

Driver files	Suitable models
GW2250	GW2250 / GW2250E / GW2250M
GW2250H	GW2250HM
GW2255	GW2255 / GW2255E / GW2255M / GW2255HM
GW2450	GW2450 / GW2450M
GW2450H	GW2450HM
GW2455	GW2455H / GW2455HE
GW2750	GW2750
GW2750H	GW2750HM

How to upgrade the monitor on an existing computer

This instruction details the procedure for manually updating the existing monitor driver software on your Microsoft Windows computer. It is currently tested as compatible for Windows 8, Windows 7, and Windows Vista Operating System (OS).



The BenQ LCD Monitor driver for your model may well function perfectly with other versions of Windows, however, as at the time of writing, BenQ has done no testing of this driver on other versions of Windows and cannot guarantee its operation on those systems.

Installing monitor driver software involves selecting an appropriate information file (.inf) on the BenQ LCD Monitor CD-ROM for the particular model monitor you have connected, and letting Windows install the corresponding driver files from the CD. You need only steer it in the right direction. Windows has an Upgrade Device Driver Wizard to automate the task and guide you through the file selection and installation process.

See:

- [How to install on Windows 8 system \(selected models only\) on page 18.](#)
- [How to install on Windows 7 system on page 19.](#)
- [How to install on Windows Vista systems on page 20.](#)

How to install on Windows 8 system (selected models only)

1. Open **Display Properties**.

Move the cursor to the lower-right of the screen or press the **Windows + C** buttons on the keyboard to bring up the **Charm** bar. Go to **Settings, Control Panel, Devices and Printers** and right-click the name of your monitor from the menu.

Alternatively, right-click the desktop and select **Personalize, Display, Devices and Printers**, and right-click the name of your monitor from the menu.

2. Select **Properties** from the menu.

3. Click the **Hardware** tab.

4. Click **Generic PnP Monitor**, and then the **Properties** button.

5. Click the **Driver** tab and the **Update Driver** button.

6. Insert the BenQ LCD Monitor CD-ROM into a CD drive on the computer.

7. In the **Update Driver Software** window, select the option **Browse my computer for driver software**.

8. Click **Browse** and navigate to the following directory: d:\BenQ_LCD\Driver\ (where d is the drive letter designator for the CD-ROM drive).



The drive letter for your CD drive may differ from the example above depending upon your system - it may be 'D:' or 'E:' or 'F:' etc.

9. Select the correct folder name of your monitor from provided driver list, and click **Next**.

This will copy and install the appropriate monitor driver files to your computer.

10. Click **Close**.

You may be prompted to restart your computer after the driver update is complete.

How to install on Windows 7 system

1. Open **Display Properties**.

Go to **Start, Control Panel, Hardware and Sound, Devices and Printers** and right-click the name of your monitor from the menu.

Alternatively, right-click the desktop and select **Personalize, Display, Devices and Printers**, and right-click the name of your monitor from the menu.

2. Select **Properties** from the menu.

3. Click the **Hardware** tab.

4. Click **Generic PnP Monitor**, and then the **Properties** button.

5. Click the **Driver** tab and the **Update Driver** button.

6. Insert the BenQ LCD Monitor CD-ROM into a CD drive on the computer.

7. In the **Update Driver Software** window, select the option **Browse my computer for driver software**.

8. Click **Browse** and navigate to the following directory: d:\BenQ_LCD\Driver\ (where d is the drive letter designator for the CD-ROM drive).



The drive letter for your CD drive may differ from the example above depending upon your system - it may be 'D:' or 'E:' or 'F:' etc.

9. Select the correct folder name of your monitor from provided driver list, and click **Next**.

This will copy and install the appropriate monitor driver files to your computer.

10. Click **Close**.

You may be prompted to restart your computer after the driver update is complete.

How to install on Windows Vista systems

1. Open **Display Settings**.

Right-click the desktop and select **Personalize** from the popup menu.

Select **Display Settings** from the **Personalize appearance and sounds** window.

The **Display Settings** window will display.

2. Click the **Advanced Settings** button.

The **Generic PnP Monitor Properties** window will display.

3. Click the **Monitor** tab and the **Properties** button.

4. Click **Continue** in the prompted **User Account Control** window.

5. Click the **Driver** tab and the **Update Driver** button.

6. Insert the BenQ LCD Monitor CD-ROM into a CD drive on the computer.

7. In the **Update Driver Software** window, select the option **Browse my computer for driver software**.

8. Click **Browse** and navigate to the following directory: d:\BenQ_LCD\Driver\ (where d is the drive letter designator for the CD-ROM drive).



The drive letter for your CD drive may differ from the example above depending upon your system – it may be 'D:' or 'E:' or 'F:' etc.

9. Select the correct folder name of your monitor from provided driver list, and click **Next**.

This will copy and install the appropriate monitor driver files to your computer.

10. Click **Close**.

You may be prompted to restart your computer after the driver update is complete.

Picture optimization

The easiest way to obtain an optimal display from an analog (D-Sub) input is to use the **AUTO** key function. Press the **AUTO** key to optimize the currently displayed image to the screen.



When you connect a digital video output using a digital (DVI or HDMI) cable to your monitor, the **AUTO** key and the Auto Adjustment function will be disabled, because the monitor will automatically display the best image.



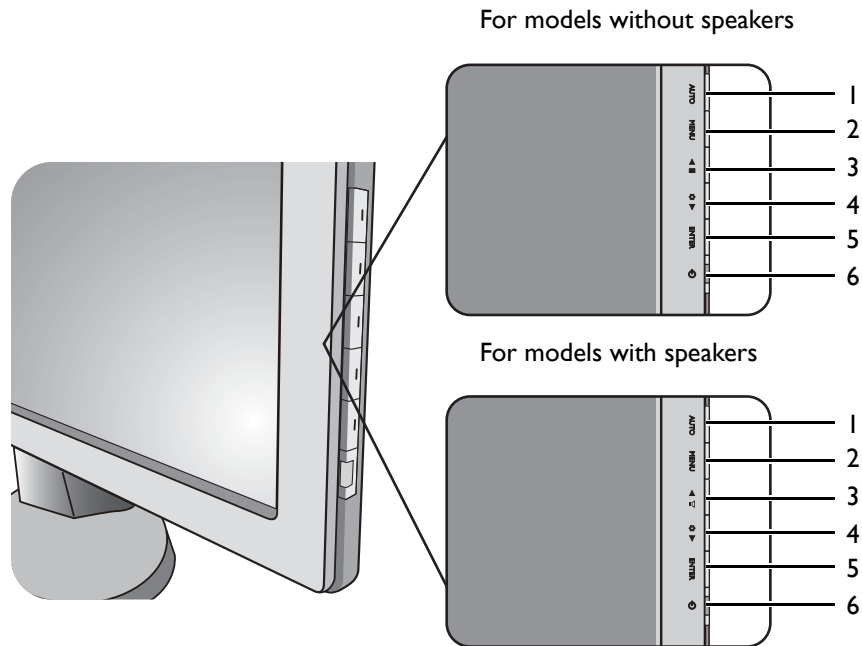
Please ensure that the connected graphic card on your computer is set to the native resolution of the monitor when you use the **AUTO** key function.

If you wish, you can always adjust the screen geometric settings manually using geometry menu items. To assist you in this endeavour, BenQ has provided a screen test image utility which you can use to check for screen color, grayscale and line gradient display.

1. Run the test program auto.exe from CD-ROM. You could also use any other image, such as the desktop of your operating system. However, we recommend that you use auto.exe. As you run auto.exe, a test pattern displays.
2. Press the **AUTO** key on the monitor.
3. Press the **MENU** key to access the monitor On-Screen Display (OSD) menu.
4. Use the **▲** or **▼** keys to select **DISPLAY** and press the **ENTER** key to enter the menu.
5. If you notice a vertical noise (like a curtain effect-shimmering of vertical lines), press the **▲** or **▼** keys to select **Pixel Clock** and press the **ENTER** key. Then press the **▲** or **▼** keys to adjust the monitor until the noise disappears.
6. If you notice a horizontal noise, press the **▲** or **▼** keys to select **Phase** and press the **ENTER** key. Then press the **▲** or **▼** keys to adjust the monitor until the noise disappears.

How to adjust your monitor

The control panel



1. **AUTO:** Adjusts vertical position, phase, horizontal position and pixel clock automatically.
2. **MENU** key: Activates OSD main menu and return to the previous menu or exit OSD.
3. **▲/Display Mode** key (for models without speakers): For Up/Increase adjustment. The key is the hot key for Display Mode.
▲/Volume key (for models with speakers): For Up/Increase adjustment. The key is the hot key for Volume.
4. **▼/Mode** key (for models without Low Blue Light): For Down/Decrease adjustment. The key is the hot key for Mode.
▼/Mode key (for models with Low Blue Light): For Down/Decrease adjustment. The key is the hot key for Low Blue Light.
5. **ENTER** key: Enters sub menus and select items. For models with DVI inputs, this key is also the hot key for Input.
6. **Power:** Turns the power on or off.



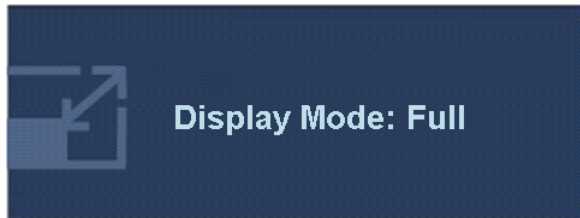
OSD = On Screen Display.

The hot keys will display a graduated scale for adjusting the value of that setting, and will only operate while the OSD menu is not currently displaying. Hot key displays will disappear after a few seconds of no key activity. See [Hot key mode on page 23](#).

Hot key mode

The monitor keys perform as hot keys to provide direct access to particular functions whenever the menu isn't currently displaying on-screen.

Display Mode hot key (for models without speakers)



Press the ▲ key continually to switch between **Full** and **Aspect**. The setting will take effect immediately.

See also [Display Mode on page 33](#).

Volume hot key (for models with speakers)

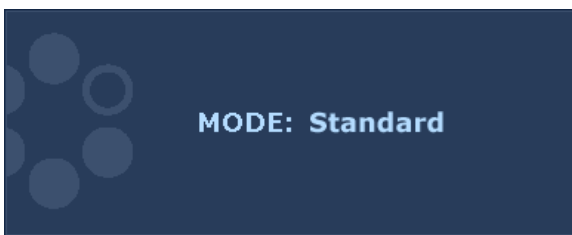


Press the ▲ key to display the **Volume** indicators. Further press the ▲ key will increase the volume, while the ▼ key will decrease the volume.



To Mute, press the Volume hot key for 3 seconds. To release Mute, press the Volume hot key for 3 more seconds.

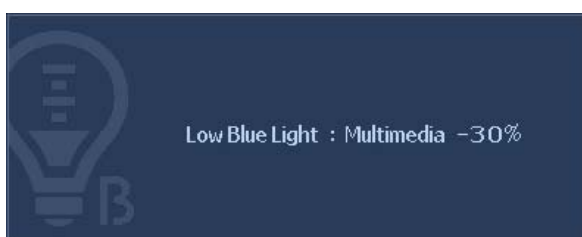
Mode hot key (for models without Low Blue Light)



Press the ▼ key continually to switch between the 6 modes for the main window, including **Standard**, **Movie**, **Game**, **Photo**, **sRGB**, and **Eco**. The setting will take effect immediately.

See also [Picture Mode on page 32](#).

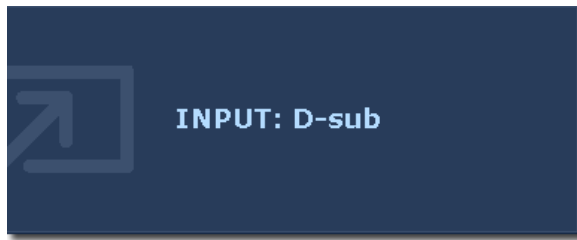
Mode hot key (for models with Low Blue Light)



Press the ▼ key continually to switch between the 4 modes for the main window, including **Multimedia**, **Web Surfing**, **Office**, and **Reading**. The setting will take effect immediately.

See also [Low Blue Light on page 32](#).

Input hot key



Press the **ENTER** key to toggle between different PC video signal inputs that may be connected to your monitor.

The setting will take effect immediately.

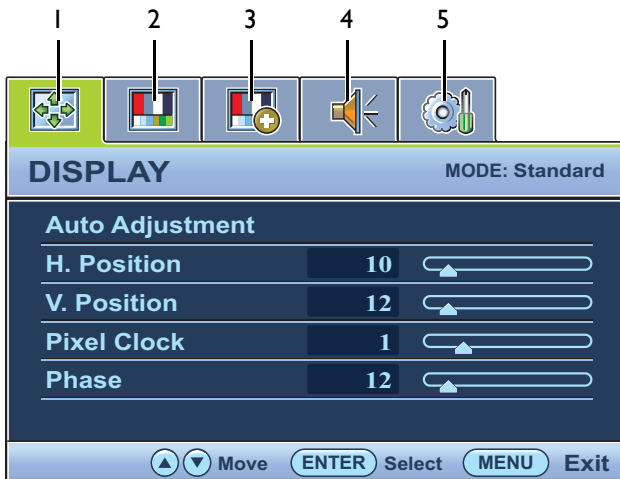
See also [Input on page 36](#).

Main menu mode

You can use the OSD (On Screen Display) menu to adjust all the settings on your monitor.

Available menu options may vary depending on the input sources, functions and settings. Menu options that are not available will become grayed out. For models without certain functions, their settings and related items will not appear on the menu.

Press the **MENU** key to display the following main OSD menu.



Depending on your purchased model, different OSD menus are available.

1. Display
2. Picture
3. Picture Advanced
4. Audio (for models with speakers)
5. System

Use the ▲ (up) or ▼ (down) keys to highlight a menu item, and press the **ENTER** key to enter the Menu item settings.



The OSD menu languages may differ from the product supplied to your region, see “[Language on page 37](#)” under “OSD Settings” for more details.

For more information on each menu, please refer to the following pages:


- [Display menu on page 26](#)
- [Picture menu on page 28](#)
- [Picture Advanced menu on page 31](#)
- [Audio menu on page 35](#)
- [System menu on page 36](#)

Display menu

Available menu options may vary depending on the input sources, functions and settings. Menu options that are not available will become grayed out. For models without certain functions, their settings and related items will not appear on the menu.



1. Press the **MENU** key to display the main menu.
2. Press the ▲ or ▼ keys to select **DISPLAY** and then press the **ENTER** key to enter the menu.
3. Press the ▲ or ▼ keys to move the highlight to a menu item and then press the **ENTER** key to select that item.
4. Press the ▲ or ▼ keys to make adjustments or selections.
5. To return to the previous menu, press the **MENU** button.

Item	Function	Operation	Range
Auto Adjustment	Optimizes and adjusts the screen settings automatically for you. The AUTO key is a 'hot key' for this function.  When you connect a digital video output using a digital (DVI or HDMI) cable to your monitor, the AUTO key and the Auto Adjustment function will be disabled.	Press the ENTER key to select this option and make adjustment.	
H. Position	Adjusts the horizontal position of the screen image.	Press the ▲ or ▼ keys to adjust the value.	0 to 100
V. Position	Adjusts the vertical position of the screen image.		0 to 100
Pixel Clock	Adjusts the pixel clock frequency timing to synchronize with the analog input video signal. Not applicable to a digital input signal. See also: Picture optimization on page 21 .		0 to 100

Item	Function	Operation	Range
Phase	<p>Adjusts the pixel clock phase timing to synchronize with the analog input video signal. Not applicable to a digital input signal.</p> <p>See also: Picture optimization on page 21.</p>	Press the ▲ or ▼ keys to adjust the value.	0 to 63

Picture menu

Available menu options may vary depending on the input sources, functions and settings. Menu options that are not available will become grayed out. For models without certain functions, their settings and related items will not appear on the menu.



1. Press the **MENU** key to display the main menu.
2. Press the **▲** or **▼** keys to select **PICTURE** and then press the **ENTER** key to enter the menu.
3. Press the **▲** or **▼** keys to move the highlight to a menu item and then press the **ENTER** key to select that item.
4. Press the **▲** or **▼** keys to make adjustments or selections.
5. To return to the previous menu, press the **MENU** button.

Item	Function	Operation	Range
Brightness	Adjusts the balance between light and dark shades.	Press the ▲ key to increase the brightness and press the ▼ key to decrease the brightness.	0 to 100
Contrast	Adjusts the degree of difference between darkness and lightness.	Press the ▲ key to increase the contrast and press the ▼ key to decrease the contrast.	0 to 100
Sharpness	Adjusts the clarity and visibility of the edges of the subjects in the image.	Press the ▲ key to improve the crispness of the display and press the ▼ key to have softness effect on the display.	1 to 5
Gamma	Adjusts the tone luminance. The default value is 3 (the standard value for Windows).	Press the ▲ key to increase the gamma value (tone becomes darker) and press the ▼ key to decrease the gamma value (tone becomes lighter).	1~ 5

Item	Function	Operation	Range
Color - Press ENTER to enter the Color menu.			
Color Temperature	Normal: Allows video and still photographs to be viewed with natural coloring. This is the factory default color.	Press the ▲ or ▼ keys to select this option.	
	Bluish: Applies a cool tint to the image and is factory pre-set to the PC industry standard white color.		
	Reddish: Applies a warm tint to the image and is factory pre-set to the news print standard white color.		
	User Mode: The blend of the Red, Green and Blue primary colors can be altered to change the color tint of the image. Go to the succeeding Red , Green , and Blue menus to change the settings.	Press the ▲ or ▼ keys and the ENTER key to select Red , Green , or Blue . Then use the ▲ or ▼ keys to make the color adjustments.	
Red	Tailors the image color tint. Decreasing one or more of the colors will reduce their respective influence on the color tint of the image. (e.g. if you reduce the Blue level the image will gradually take on a yellowish tint. If you reduce Green, the image will become a magenta tint.)	Press the ▲ or ▼ keys to adjust the value.	0 to 100
Green			
Blue			
Hue	Adjusts the degree of how we perceive colors.	Press the ▲ or ▼ keys to adjust the value.	0 to 100
Saturation	Adjusts the purity degree of colors.	Press the ▲ or ▼ keys to adjust the value.	0 to 100
Reset Color	Resets the custom color settings to the factory defaults.	Press the ▲ or ▼ keys to change the settings.	<ul style="list-style-type: none"> • YES • NO
Press MENU to leave the Color menu.			


Item	Function	Operation	Range
AMA	Improves the gray level response time of the LCD panel.	Press the ▲ or ▼ keys to change the settings.	<ul style="list-style-type: none"> • Premium • High (recommended) • OFF



Picture Advanced menu


Available menu options may vary depending on the input sources, functions and settings. Menu options that are not available will become grayed out. For models without certain functions, their settings and related items will not appear on the menu.



1. Press the **MENU** key to display the main menu.
2. Press the ▲ or ▼ keys to select **PICTURE ADVANCED** and then press the ENTER key to enter the menu.
3. Press the ▲ or ▼ keys to move the highlight to a menu item and then press the ENTER key to select that item.
4. Press the ▲ or ▼ keys to make adjustments or selections.
5. To return to the previous menu, press the **MENU** button.

Item	Function	Operation	Range
Picture Mode	<p>Selects a picture mode that best suits the type of images shown on the screen.</p> <ul style="list-style-type: none"> • Standard - for basic PC application. • Low Blue Light - Decreases the blue light emitted from the display to reduce the risk of blue light exposure to your eyes. • Movie - for viewing videos. • Game - for playing video games. • Photo - for viewing still images. • sRGB - for better color matching representation with the peripheral devices, such as printers, DSCs, etc. • Eco - for saving electricity with low power consumption by providing minimum brightness for all running programs. 	<p>Press the ▲ or ▼ keys to change the settings.</p>	<ul style="list-style-type: none"> • Standard • Low Blue Light • Movie • Game • Photo • sRGB • Eco
Low Blue Light	<p>Decreases the blue light emitted from the display to reduce the risk of blue light exposure to your eyes.</p> <ul style="list-style-type: none"> • Multimedia - For viewing multimedia files. • Web Surfing - For web surfing. • Office - For office works or office environment. • Reading - For reading e-books or documents. 	<p>Press the ▲ or ▼ keys to change the settings.</p> <p> The value for each Low Blue Light mode indicates how much blue light is decreased compared with the Standard mode.</p>	<ul style="list-style-type: none"> • Multimedia (-30%) • Web Surfing (-50%) • Office (-60%) • Reading (-70%)

Item	Function	Operation	Range
Senseye Demo	Displays the preview of screen images under the selected mode from Picture Mode. The screen will be divided into two windows; the left window demonstrates images of Standard mode, while the right window presents the images under the specified mode.	Press the ▲ or ▼ keys to change the settings.	<ul style="list-style-type: none"> • ON • OFF
Dynamic Contrast	The function is to automatically detect the distribution of an input visual signal, and then to create the optimal contrast.	Press the ENTER key to select this option. Press the ▲ or ▼ keys to change the settings.	0 to 5
Display Mode	<p>This feature is provided to allow aspect ratios other than 16:9 or 16:10 (depending on the purchased model) to be displayed without geometric distortion.</p> <ul style="list-style-type: none"> • Overscan - Slightly enlarges the input image. Use this feature to hide annoying edge noise if present around your image. • Full - Scales the input image to fill the screen. Ideal for 16:9 or 16:10 (depending on the purchased model) aspect images. • Aspect - The input image is displayed without geometric distortion filling as much of the display as possible. Depending on the purchased model, 16:9 or 16:10 images will fill the screen horizontally while 4:3 or 5:4 images will fill the screen vertically. <p> To find out the monitor aspect ratio of the purchased model, please check the Specification document on the provided CD.</p>	<p>Press the ▲ or ▼ keys to change the settings.</p> <p> The options under Display Mode will be different depending on the input signal sources.</p>	<ul style="list-style-type: none"> • Overscan • Full • Aspect

Item	Function	Operation	Range
Color Format	<p>Determines the color space (RGB or YUV) based on the following detected video signal:</p> <ul style="list-style-type: none"> • D-Sub (VGA) from PC: The default Color Format is RGB. • D-Sub (Component) from a video device: The default Color Format is YUV. <p> You might need to manually set the Color Format if colors shown on the monitor screen do not display properly.</p> <ul style="list-style-type: none"> • DVI (for models with DVI inputs): Color Format is automatically set to RGB. • HDMI (for models with HDMI inputs): Color Format is not selectable. In other words, Color Format is automatically set depending on the input video source. 	<p>Press the ENTER key to select this option. Press the ▲ or ▼ keys to change the settings.</p>	<ul style="list-style-type: none"> • RGB • YUV
HDMI RGB PC Range (for models with HDMI inputs)	<p>Determines the range of color scales. Select an option that matches the RGB range setting on the connected HDMI device.</p>	<p>Press the ENTER key to select this option. Press the ▲ or ▼ keys to change the settings.</p>	<ul style="list-style-type: none"> • RGB (0 ~ 255) • RGB (16 ~ 235)

Audio menu

Available menu options may vary depending on the input sources, functions and settings. Menu options that are not available will become grayed out. For models without certain functions, their settings and related items will not appear on the menu.

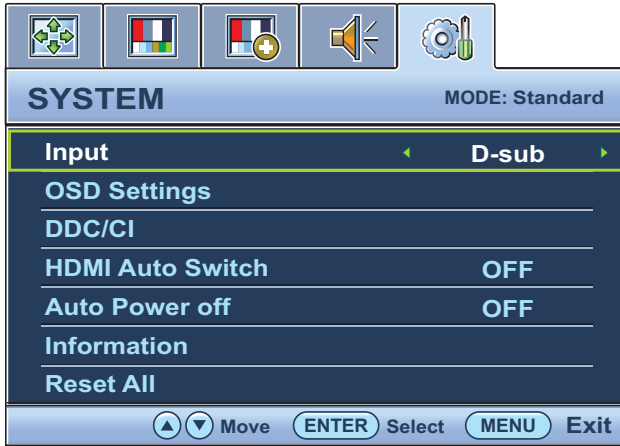


1. Press the **MENU** key to display the main menu.
2. Press the **▲** or **▼** keys to select **AUDIO** and then press the **ENTER** key to enter the menu.
3. Press the **▲** or **▼** keys to move the highlight to a menu item and then press the **ENTER** key to select that item.
4. Press the **▲** or **▼** keys to make adjustments or selections.
5. To return to the previous menu, press the **MENU** button.

Item	Function	Operation	Range
Volume	Adjusts the audio volume	Press the ▲ key to increase the volume and press the ▼ key to decrease the volume.	0 ~ 100
Mute	Mutes the audio input	Press the ▲ or ▼ keys to change the settings.	<ul style="list-style-type: none"> • ON • OFF
Audio Select (for models with HDMI inputs)	Allow users to select the audio source or let the monitor detect it automatically	Press the ▲ or ▼ keys to change the settings.	<ul style="list-style-type: none"> • Auto Detect • PC Audio • HDMI Audio


System menu


Available menu options may vary depending on the input sources, functions and settings. Menu options that are not available will become grayed out. For models without certain functions, their settings and related items will not appear on the menu.



1. Press the **MENU** key to display the main menu.
2. Press the ▲ or ▼ keys to select **SYSTEM** and then press the **ENTER** key to enter the menu.
3. Press the ▲ or ▼ keys to move the highlight to a menu item and then press the **ENTER** key to select that item.
4. Press the ▲ or ▼ keys to make adjustments or selections.
5. To return to the previous menu, press the **MENU** button.

Item	Function	Operation	Range
Input	Use this to change the input to that appropriate to your video cable connection type.	Press the ▲ or ▼ keys to change the settings.	<ul style="list-style-type: none"> • DVI • D-sub (VGA) • HDMI (for models with HDMI inputs)
OSD Settings - Press ENTER to enter the OSD Settings menu.			

Item	Function	Operation	Range
Language	Sets the OSD menu language.	<p>Press the ▲ or ▼ keys to change the settings.</p> <p> The language options displayed on your OSD may differ from those shown on the right, depending on the product supplied in your region.</p>	<ul style="list-style-type: none"> • English • French • German • Italian • Spanish • Polish • Japanese • Czech • Traditional Chinese • Hungarian • Simplified Chinese • Serbo-Croatian • Romanian • Dutch • Russian • Swedish • Portuguese
H. Position	Adjusts the horizontal position of the OSD menu.	Press the ▲ or ▼ keys to change the settings.	0 to 100
V. Position	Adjusts the vertical position of the OSD menu.		0 to 100
Display Time	Adjusts the display time of the OSD menu.		<ul style="list-style-type: none"> • 5 Sec. • 10 Sec. • 15 Sec. • 20 Sec. • 25 Sec. • 30 Sec.

Item	Function	Operation	Range
OSD Lock	Prevents all the monitor settings from being accidentally changed. When this function is activated, the OSD controls and hotkey operations will be disabled.	<p>Press the ▲ or ▼ keys to change the settings.</p> <p> To unlock the OSD controls when the OSD is preset to be locked, press and hold the MENU key for 15 seconds to enter the OSD Lock option and make changes. Alternatively, you may use the ▲ or ▼ keys to select NO in the OSD Lock submenu from the OSD Settings menu, and all OSD controls will be accessible.</p>	<ul style="list-style-type: none"> • YES • NO
Press MENU to leave the OSD Settings menu.			
DDC/CI*	Allows the monitor settings to be set through the software on the PC.	Press the ENTER key to select this option. Press the ▲ or ▼ keys to change the settings.	<ul style="list-style-type: none"> • ON • OFF
HDMI Auto Switch (for models with HDMI inputs)	When this function is activated, HDMI port will be in the input auto select loop. Otherwise, HDMI can only be selected by input select or by hot key.	Press the ENTER key to select this option. Press the ▲ or ▼ keys to change the settings.	<ul style="list-style-type: none"> • ON • OFF
Auto Power off	Sets the time to power off the monitor automatically in power saving mode.	Press the ENTER key to select this option. Press the ▲ or ▼ keys to change the settings.	<ul style="list-style-type: none"> • OFF • 10min. • 20min. • 30min.
Information	Displays the current monitor property settings.		<ul style="list-style-type: none"> • Input • Current Resolution • Optimum Resolution (best with the monitor) • Model Name
Reset All	Resets all mode, color and geometry settings to the factory default values.	Press the ▲ or ▼ keys to change the settings.	<ul style="list-style-type: none"> • YES • NO



*DDC/CI, short for Display Data Channel/Command Interface, which was developed by Video Electronics Standards Association (VESA). DDC/CI capability allows monitor controls to be sent via the software for remote diagnostics.

Troubleshooting

Frequently asked questions (FAQ)

- ② The image is blurred:
 - ☞ Read the instructions on the link "Adjusting the Screen Resolution" on the CD, and then select the correct resolution, refresh rate and make adjustments based on these instructions
- ② How do you use a VGA extension cable?
 - ☞ Remove the extension cable for the test. Is the image now in focus? If not, optimize the image by working through the instructions in the "Adjusting the refresh rate" section on the link "Adjusting the Screen Resolution". It is normal for blurring to occur due to conduction losses in extension cables. You can minimize these losses by using an extension cable with better conduction quality or with a built-in booster.
- ② Does the blurring only occur at resolutions lower than the native (maximum) resolution?
 - ☞ Read the instructions on the link "Adjusting the Screen Resolution" on the CD. Select the native resolution.
- ② Pixel errors can be seen:
 - ☞ One of several pixels is permanently black, one or more pixels are permanently white, one or more pixels are permanently red, green, blue or another color.
 - Clean the LCD screen.
 - Cycle power on-off.
 - These are pixels that are permanently on or off and is a natural defect that occurs in LCD technology.
- ② The image has a faulty coloration:
 - ☞ It has a yellow, blue or pink appearance.
Select **MENU > PICTURE > Color > Reset Color**, and then choose "YES" in the "Caution" message box to reset the color settings to the factory defaults.
If the image is still not correct and the OSD also has faulty coloration, this means one of the three primary colors is missing in the signal input. Now check the signal cable connectors. If any pin is bent or broken off, please contact your dealer to get necessary support.
- ② No image can be seen:
 - ☞ Is the prompt on the display illuminated in green?
If the LED is illuminated in green and there is a message "Out of Range" on the screen, this means you are using a display mode that this monitor does not support, please change the setting to one of the supported mode. Please read the "Preset display modes" section from the link "Adjusting the Screen Resolution".
- ② Faint shadow from the static image displayed is visible on the screen:
 - ☞
 - Activate the power management function to let your computer and monitor go into a low power "sleep" mode when not actively in use.
 - Use a screensaver to prevent the occurrence of image retention.

- ② Is the prompt on the display illuminated in orange?
- ☞ If the LED is illuminated in orange, the power management mode is active. Press any button on the computer keyboard or move the mouse. If that does not help, check the signal cable connectors. If any pin is bent or broken off, please contact your dealer to get necessary support.
- ② Is the prompt on the display not illuminated at all?
- ☞ Check the power supply mains socket, the external power supply and the mains switch.
- ② The image is distorted, flashes or flickers:
- ☞ Read the instructions on the link "Adjusting the Screen Resolution" on the CD, and then select the correct resolution, refresh rate and make adjustments based on these instructions.
- ② You are running the monitor at its native resolution, but the image is still distorted.
- ☞ Images from different input sources may appear distorted or stretched on the monitor running at its native resolution. To have the optimal display performance of each type of input sources, you can use the "Display Mode" function to set a proper aspect ratio for the input sources. See [Display Mode on page 33](#) for details.
- ② The image is displaced in one direction:
- ☞ Read the instructions on the link "Adjusting the Screen Resolution" on the CD, and then select the correct resolution, refresh rate and make adjustments based on these instructions.
- ② The OSD controls are inaccessible:
- ☞
 - To unlock the OSD controls when the OSD is preset to be locked, press and hold the "MENU" key for 15 seconds to enter the "OSD Lock" option and make changes.
 - Alternatively, you may use the ▲ or ▼ keys to select "NO" in the "OSD Lock" submenu from the "OSD Settings" menu (under **SYSTEM**), and all OSD controls will be accessible.
- ② No sound can be heard from the built-in speakers (for models with speakers only):
- ☞
 - Check whether Line In is properly connected.
 - Increase the volume (volume may be muted or too low).
 - Remove your headphone and/or external speakers. (If they are connected to the monitor, the built-in speakers are automatically muted.)
- ② No sound can be heard from the connected external speakers (for models with speakers only):
- ☞
 - Remove your headphone (if the headphone is connected to the monitor).
 - Check whether the headphone jack is properly connected.
 - If the external speakers are USB-powered, check whether the USB connection is OK.
 - Increase the volume (volume may be muted or too low) on the external speakers.

Need more help?

If your problems remain after checking this manual, please contact your place of purchase or e-mail us at: Support@BenQ.com.